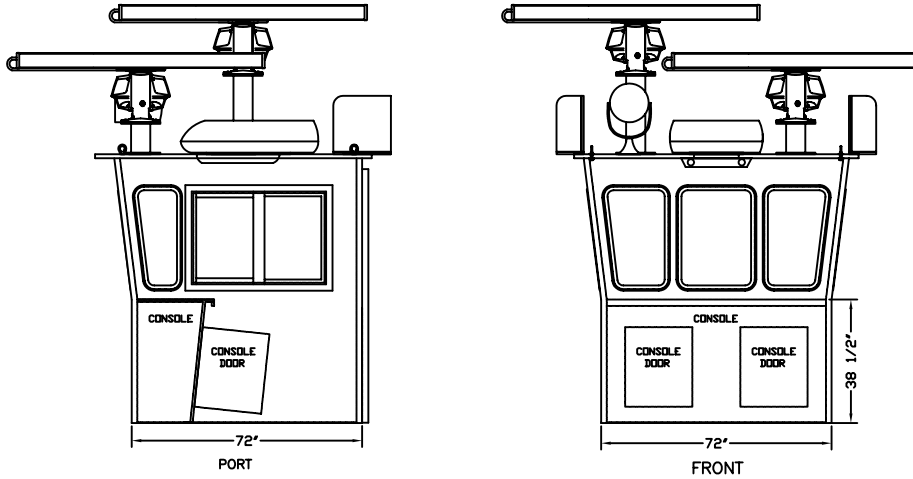


CAROLINA COCKPIT

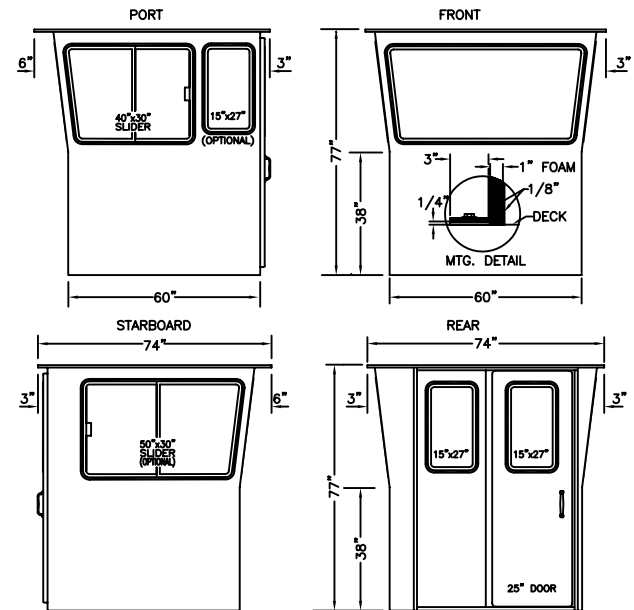
ALL WEATHER PROTECTION

P.O. BOX 83037 PORTLAND, OREGON 97283 PH. (503) 978-0863 FAX (503) 735-0337

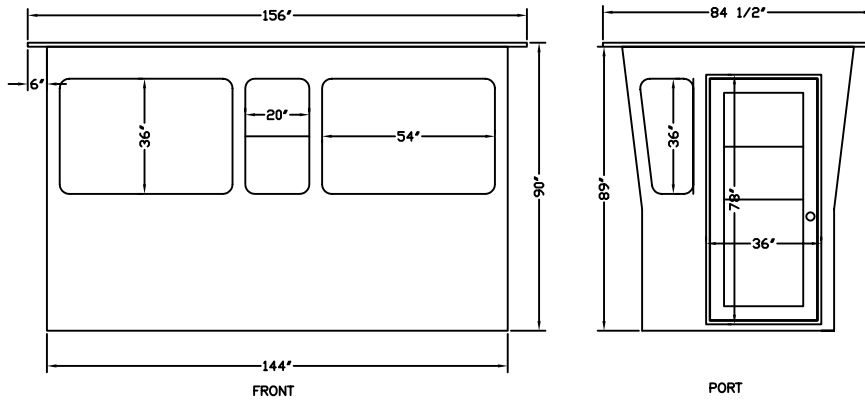
MODEL 4P-CRP FOUR PERSON PILOTHOUSE WITH REAR SLIDING DOOR 800 LBS.



MODEL 4P-AR FOUR PERSON PILOTHOUSE WITH REAR SLIDING DOOR 500 LBS.



MODEL 4P-BPS FOUR PERSON PILOTHOUSE WITH PORT AND STBD HINGED DOORS



SCALE: 1/2"=1'-0"